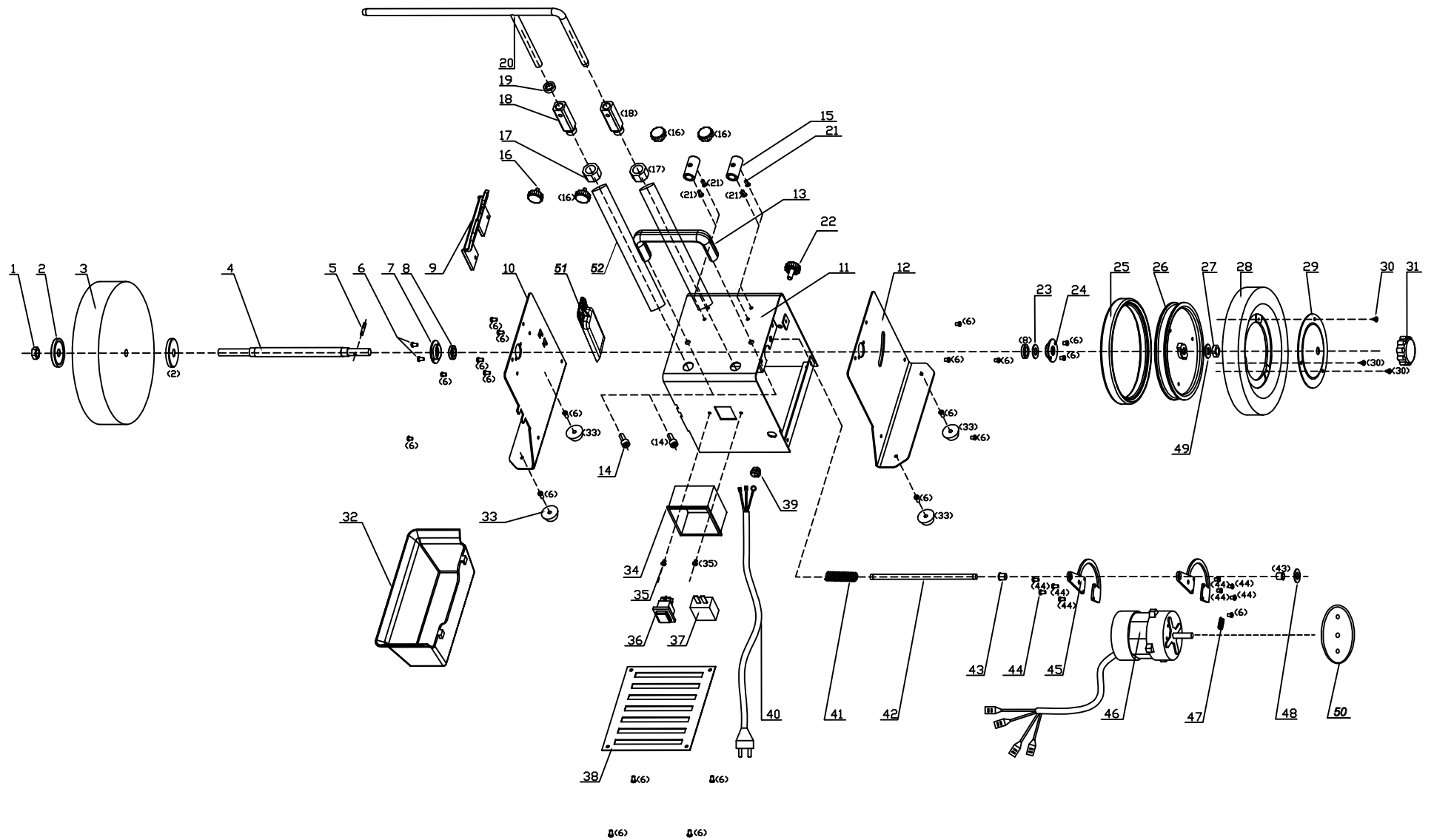




# TWSS10 - Wetstone Sharpener





## **TWSS10 - Wetstone Sharpener**

<b>No.</b>	<b>Description</b>	<b>Qty</b>
1	Wheel lock nut	1
2	Flange for wheel	2
3	Wheel stone	1
4	Main shaft	1
5	Pin	1
6	Cross head screw	26
7	Right bearing support	1
8	Bearing	2
9	Water proof plate	1
10	Right House plate	1
11	Main house	1
12	Left house plate	1
13	Top handle	1
14	Allen key screw	2
15	Horizontal bar holder	2
16	Knob No.1	4
17	Hex Nut	2
18	Vertical bar holder	2
19	Adjustable Bolt	1
20	Support arm	1
21	Cross head screw	4
22	Knob No.2	1
23	Wave washer	1
24	Left bearing support	1
25	Rubber ring	1
26	Drive wheel	1



## **TWSS10 - Wetstone Sharpener**

<b>No.</b>	<b>Description</b>	<b>Qty</b>
27	Drive wheel lock Nut	1
28	Leather wheel	1
29	Wheel cap	1
30	Screw	3
31	Leather wheel Lock knob	1
32	Water tray	1
33	Rubber feet	4
34	Switch box	1
35	Screw	4
36	Electromagnetic Switch	1
37	Capacitor	1
38	Base plate	1
39	Cord lock	3
40	CE Cord set	1
41	Spring	1
42	Rotary spindle	1
43	Motor rotary bush	2
44	Screw	12
45	Motor hang plate	2
46	Motor assy.	1
47	Spring	1
48	Washer 1	1
49	Washer 2	1
50	Water proof plate	1
51	Water proof cover	1
52	Water pipe	2